

solo[®]

589

Instruction manual
Original instructions

Lawn Mowers

Important!

Read this instruction manual carefully before first operation and strictly observe the safety regulations!



Instruction manual

Original instructions



Preface

Dear Customer,

Congratulations for choosing this SOLO quality product.

The lawn mower is a high performance mower that will contribute to a well-cared for lawn.



Please read the owners manual carefully and familiarize yourself with the correct use of the SOLO lawn mower prior to operating the lawn mower for the first time. Please observe all instructions, recommendations and explanations. Adherence to the owners manual is essential for proper operation of the lawn mower. Do not operate the lawn mower while other persons, especially children or animals are within close proximity. The operator of the lawn mower is responsible for any personal or property damages to third parties.

EC declaration of conformity → The EC declaration of conformity on a separate piece of paper forms part of these operating instructions.

Packaging and disposal

Please keep the original packaging in order to protect the equipment against transport damage in case you ever need to ship it or transport it. If the packaging materials are no longer required then they must be disposed of properly in accordance with applicable local regulations. Cardboard packaging materials are raw materials which can be recycled or reused.

At the end of the equipment's service life, please make sure that you dispose of it properly, in accordance with the official directives and regulations that apply in your area

Symbols

The following symbols are used in this manual and on the product:



Always handle this machine with particular care



Read these operating instructions carefully, before initial start-up and all maintenance or cleaning work



Wear protective gloves when servicing and for repair



Wear protective head gear



Observe mowing hours



Do not allow third parties within the danger zone



Unplug mains lead before touching the cutter blade!



Keep mains cable safely away from cutter blade!



Electrical equipment must not be disposed of as normal domestic waste. Ensure that the device and all electrical accessories are disposed of or recycled at an official disposal or recycling facility for electrical equipment.



Do not spray the mower with high pressure cleaning hose

In the best interest of continued technological progress we reserve the right to change the design and configuration of any product without prior notice.

For that reason, no claims can be accepted with reference to text and illustrations in this manual

Index

	Page
1. Type plate	3
2. Standard delivery	4
3. Control and function elements	4
4. Safty guidelines	5
4.1 <i>Correct use</i>	5
4.2 <i>General safety instructions</i>	5
4.3 <i>Mains supply and extension cable</i>	5
4.4 <i>Prior to Mowing</i>	6
4.5 <i>Switching on</i>	6
4.6 <i>Handling</i>	6
4.7 <i>Service and Storage</i>	7
5. Preparing the equipment for use	8
5.1 <i>Assembly</i>	8
5.2 <i>Grass Catching Device</i>	8
5.3 <i>Adjusting cutting height</i>	9
5.4 <i>Connection to the mains supply</i>	9
6. Mowing hints	10
6.1 <i>Starting the Motor / stopping the Motor</i>	10
6.2 <i>Mowing with Grass catching device</i>	11
6.3 <i>Lawn Care</i>	11
7. Maintenance and Care	12
7.1 <i>Cleaning the Mower</i>	12
7.2 <i>Wheel axles and wheel hubs</i>	12
7.3 <i>Height adjustment</i>	12
7.4 <i>Mowing Blade</i>	13
8. Technical data	14
9. Accessories	14
10. Parts subject to wear and tear	15
11. Guarantee	15

1. Type plate

- a: Type designation
- b: Serial number
- c: Build year
- d: Double-insulated
- e: Spray water protected



2. Standard delivery

- Lawn mower
- Grass catcher frame
- Grass catcher
- 2 pcs. **Star handles M8**
- 2 pcs. **Washers 8.4 dia.**
- 2 pcs. **Coach bolts M8x45**
- **Owners manual**
- **EC declaration of conformity** on a separate piece of paper

3. Control and function elements

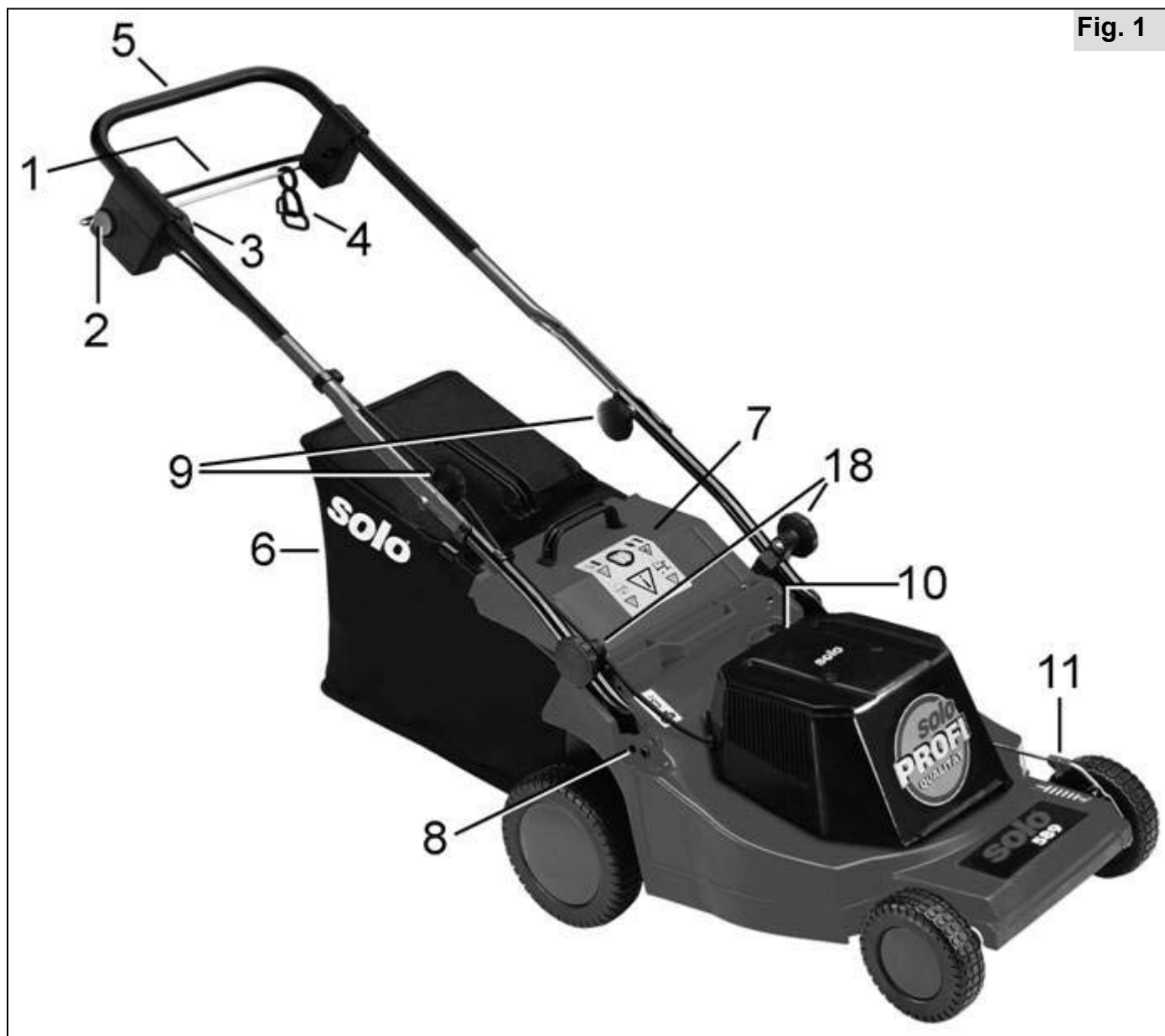


Fig. 1

1. On / Of Switch	7. Ejection Shield
2. Safety Look	8. Handle Bolt
3. Main Cable Connection	9. Handle Screw
4. Cable Safety Holder	10. Height Adjuster
5. Handle	11. Height Adjuster Indicator
6. Gras Catching Device	18. Clamping Block

4. Safty guidelines

4.1 Correct use

The SOLO lawn mower is intended to be used only for private home or hobby gardens. The lawn mower is not to be used in public facilities, parks, sports centers or for agricultural and forestry purposes.



Due to potential bodily harm, the SOLO lawn mower is not to be used for the following purposes:

- To trim bushes, hedges or shrubs,
- to cut or chop growing vines or lawns on roof-tops or balcony window boxes,
- to clean or suction-up walkways or to chop up trees and shrubbery debris and
- to cut up tree and shrubbery sections.
- Furthermore, the SOLO lawn mower is not to be used to level elevations on the ground, for instance mole hills or other similar elevations.

For safety reasons, the SOLO lawn mower is not to be used as:

- a drive aggregate for other work units,

4.2 General safety instructions

- Do not allow children or other third parties who are not familiar with the functioning of the machine to operate the lawn mower. Juveniles under age 16 should not be permitted to operate the lawn mower.
- Please adhere to local ordinances which may determine the minimum age for operating the lawn mower.
- Loan the lawn mower only to individuals who are familiar with handling this model. Always make the owners manual available to them.
- Explain to the individual who is to use the lawn mower, how to avoid possible danger and accidents.
- Mow only during daylight hours or with proper artificial illumination.
- Store the mower in a safe manner! Mowers should be stored in a dry and locked area that is inaccessible to children.
- Never use the Electric Mower while other persons, especially children, or animals are in close vicinity.
- The operator is responsible for any personal harm to others and for any damage to property of others.
- All electric cords and connection cables fitted on the outside of the mower have to be inspected for damage and deterioration on a regular basis. Only use cords and cables which are in good condition.
- Safety switches fitted by the manufacturer to the mower are not allowed to be removed or rendered ineffective (such as tying the safety lever to the mower handle).
- Never leave the mower without supervision. Always disconnect the electricity supply at the main socket before leaving the mower unattended. Pull the plug from the socket, never pull the cord only to remove the plug.

4.3 Mains supply and extension cable

- For connecting to your mower, only use cords which have been approved for use outdoors, such as H 05 RN-F according to EN 60335.
- Extension cords for main connection must correspond with standards EN 60335 with a minimum of 1.5 sq.mm diameter cable core and a max length of 50 metres.
- All cable connections must be rubber or rubber covered and correspond with standards EN 60335.
- The main socket should have a minimum of 16 A.
- For your own personal safety use safety switches for current to ≤ 30 mA.
- If the power cord is damaged or cut, immediately remove the plug from the mains socket.

4.4 Prior to Mowing

- Prior to using the mower, always check the condition of the cutter blade and blade nut. Damaged blades, blade holder and fan wheels have to be replaced and balanced by an authorized workshop. Adhere to fitting instructions of the manufacturer.
- Check the area completely prior to mowing and during mowing. Remove any foreign matter such as pebbles, stones, wooden pieces, bones, etc. prior to mowing.
- Never mow without sturdy shoes and without wearing long pants. Never mow bare-footed or with open-toe sandals.
- Attach the ejection shield and the grass catching device. Make certain that these are properly secured. It is prohibited to use the mower without the ejection shield or with a damaged shield.
- Check the mower for
 - a) secure fit of fastening parts,
 - b) damage or severe wear and tear.
- Observe installation hints and specified torque when replacing parts.
- Check the grass catching device frequently for wear and tear.

4.5 Switching on

- The mower needs to be positioned on level ground when switch on.
- Do not switch on in deep grass.
- When starting mower it is important that feet are away from the cutting unit.
- Never place hands or feet near moving parts. Be careful that neither hands nor feet will be caught below the deck.

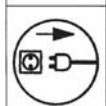
4.6 Handling

- Always position yourself firmly on the ground when mowing on a slope.
- Move at a walking pace when mowing.
- Mow diagonally on a slope, never in a straight upward or downward motion.
- For safety reasons, this Electric Mower is not to be used on slopes with a gradient in excess of 15%.
- Be especially careful when changing directions on a slope.
- Be especially careful when turning mower around or when pulling mower towards you.
- Do not walk backwards with the mower. Danger of stumbling. Avoid walking backwards.
- Avoid abnormal body positions. Assure solid positioning on the ground, and at all times, keep your balance.
- Always keep sufficient distance which is established by the length of the handle.



Switch off and pull the mains plug from its socket.

- Prior to checking the mower,
- prior to removing blockages of ejected material,
- or prior to cleaning the mower and for other maintenance work, and
- when you mount the Assembly mulching Set
- when the mower is temporarily left alone,
- when the mower is lifted or tilted during transport.



Switch off when.

- Opening the ejection shield and when removing grass catching device,
- when removing the upper handle section from the lower handle section,
- when pushing mower outside the lawn,
- when the cutting height is to be adjusted,
- when crossing areas other than grass
- when transporting the mower to or from the grass area

- Never lift or carry the mower when the motor is switched on.
- Never use the mower when ejection shield is damaged or missing. Mow only with the proper grass catching device which has to be correctly installed, and with a completely closed ejection shield.
- If the mower becomes blocked, for example when running over an obstacle, the mower needs to be checked by a specialist to see if parts are damaged or deformed.
- Immediate checking is required if the mower vibrates at an unusual high level.

4.7 Service and Storage

Caution: Before every Service, Cleaning and Storage switch off the motor and pull the mains plug from its socket.

- Take care that all screw connections are tightened.
- On a regular basis, check the grass catching device and check the ejection shield for wear and tear and sound operation.
- For safety reasons, replace worn or damaged parts.
- Always wear protective gloves when working near the cutting device's vicinity.
- For warranty purposes and safety reasons only SOLO replacement parts should be used.

Electrical repairs to the mower may only be made by a certi. ed electrician or by a service centre.

Maintenance and repair

Maintenance and repair of modern motorized devices, as well as their safety-relevant assemblies, require qualified, specialized training and a workshop equipped with special tools and test devices.

Thus SOLO recommends that you have a specialized SOLO workshop carry out all work that is not described in these operating instructions. Your SOLO specialist has the required training, experience, and equipment at his disposal to provide you with the most cost-effective solution and can help you in many ways with advice and service.

Replacement parts

Dependable operation and the safety of your device also depend on the quality of the replacement parts that you use. Use only original SOLO replacement parts.

Only original parts come from the production of the device and thus guarantee the highest possible material quality, dimensional accuracy, function, and safety. Original replacement parts and accessory parts are available from your dealer. He also maintains the requisite replacement part lists to determine the required replacement part numbers, and he is constantly provided with information concerning detail improvements and innovations in the replacement part offering.

Please note as well that guarantee performances from SOLO are not possible if parts other than SOLO original parts are used.

In conformance with the product liability law we want to clearly point out that we are not liable for any damages which may occur due to improper handling, or repair. Furthermore, we are not responsible for any damage that may occur if replacement parts other than SOLO replacement parts, or parts that were not authorized by SOLO, have been used. In addition we are not liable for any damage that may occur if repair work was performed by any source other than the Customer Service or an authorized Service Center. This liability exclusion applies also to accessories and supplemental parts.

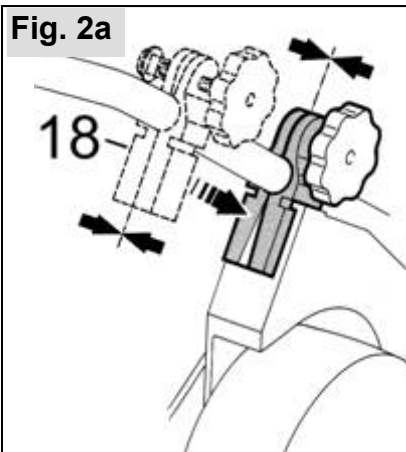
5. Preparing the equipment for use

5.1 Assembly

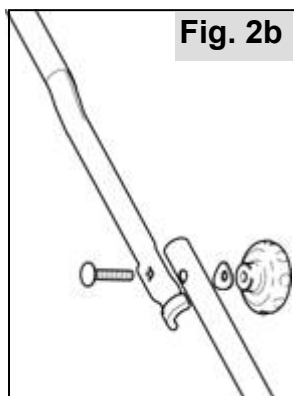
Your lawnmower will be ready for use in only a few steps.

Securing the handle:

The lower handle part is secured with handle pins (8) and firmly held in place by the clamping block (18) in the mower housing.

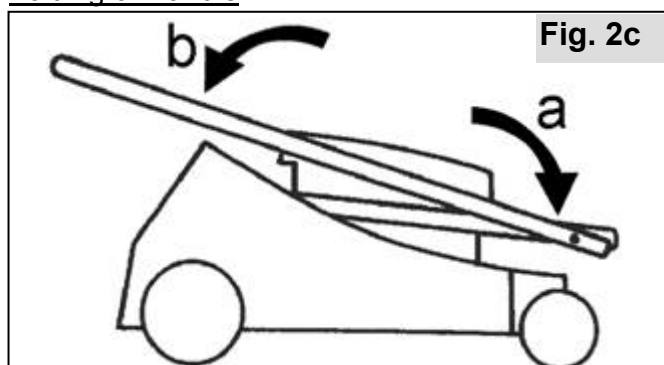


Loosen both star handles M8 and insert the clamping block into the mower housing until flush. Tighten the star handles.



Connect the upper handle with the lower handle and secure on both sides with coach bolts 8x45 and washers 8.4 mm dia.. Tighten with star handles on the inside of the handle.

Folding of Handle

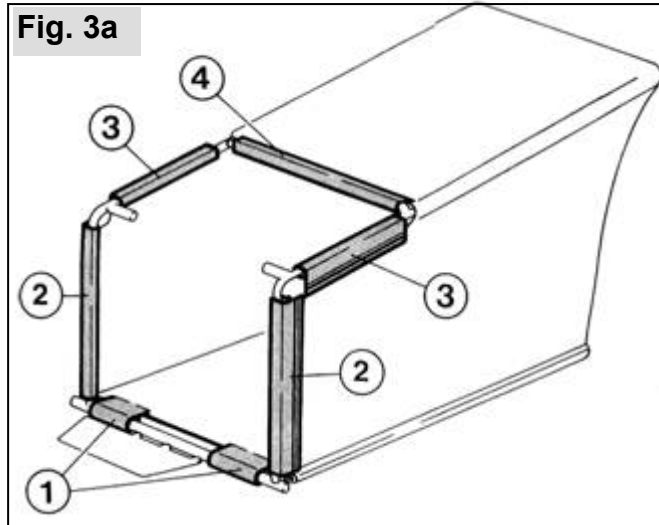


To fold the handle:

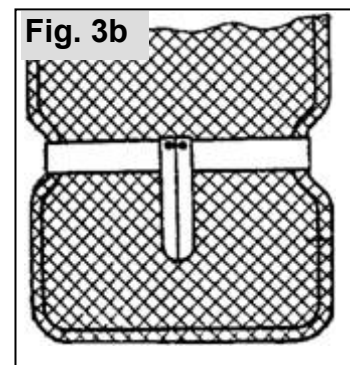
- loosen both clamping blocks (18) with star handles and pull out from mower housing,
- a) place lower handle to the front of the mower,
- loosen upper handle screws (9) and
- b) fold upper handle towards the rear of the mower.

5.2 Grass Catching Device

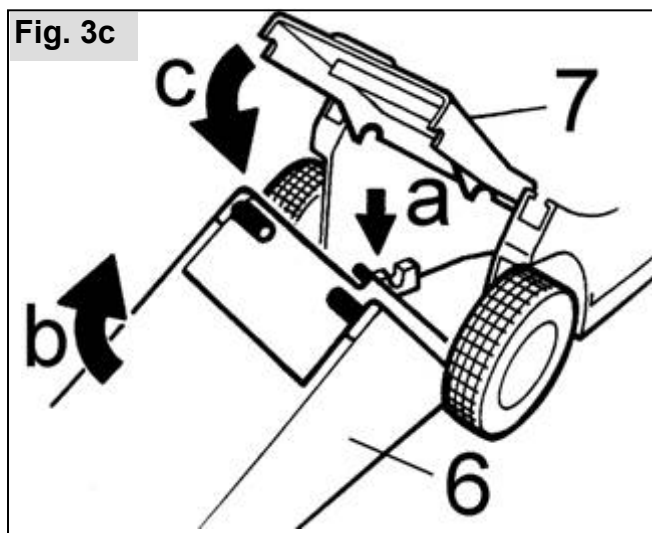
! Install and remove catcher only with switched off mower!



Pull the catcher over the frame and attach plastic retaining flaps in the sequence 1-2-3-4 to the frame.



Squeeze the upper frame of the catcher to allow the carrying bracket to be fitted.

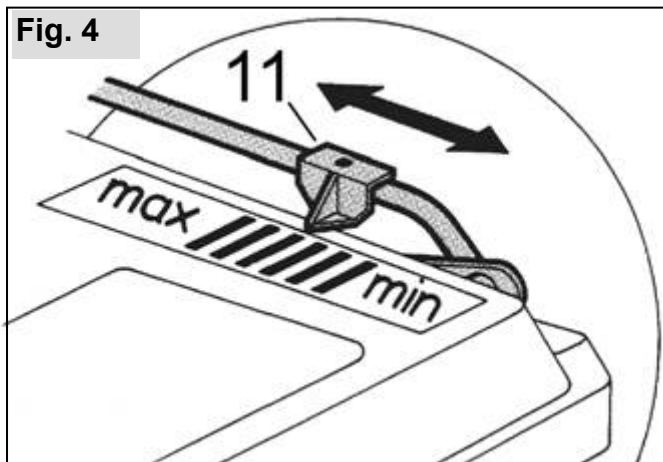


To fit the catcher (6), lift the rear flap (7), rest the catcher frame on the lower guide of the mower housing (a), lift catcher upwards (b) until the catcher completely locks in the discharge flap (c).

! The discharge chute detector (7) is designed for your personal safety. The detector must be permanently closed when using the lawnmower without grass catcher (6).

5.3 Adjusting cutting height

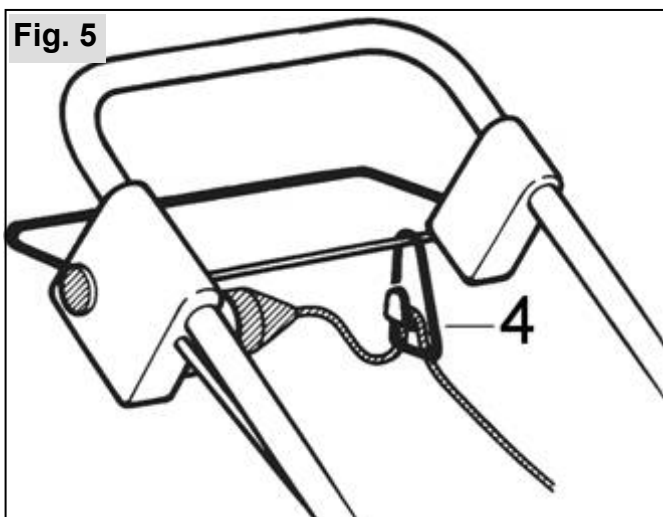
The mower is equipped with a continuously adjustable cutting height of approx. 30 - 75 mm (approx. 1 - 3 inches). The height adjustment for all wheels is accomplished by the central adjustment (10).



Turning to the right reduces the cutting height, and turning to the left increases the height. The height can be read from the markings (11).

Attention: The cutting height is to be set so that the blade does not touch the ground when the ground is not level. Only mow with the lowest cutting adjustment when lawns are flat.

5.4 Connection to the mains supply



Connect the mains cable to socket on the mower. Attach the mains cable to the cable safety holder. The cable should not be tight between safety holder and mower socket. Connect the mains cable to the mains socket.

6. Mowing hints



When mowing, please observe the safety recommendations which are part of this owners manual!



Important Note: The time and duration when lawn mowers can be operated may be subject to local ordinances. These ordinances usually vary from location to location.

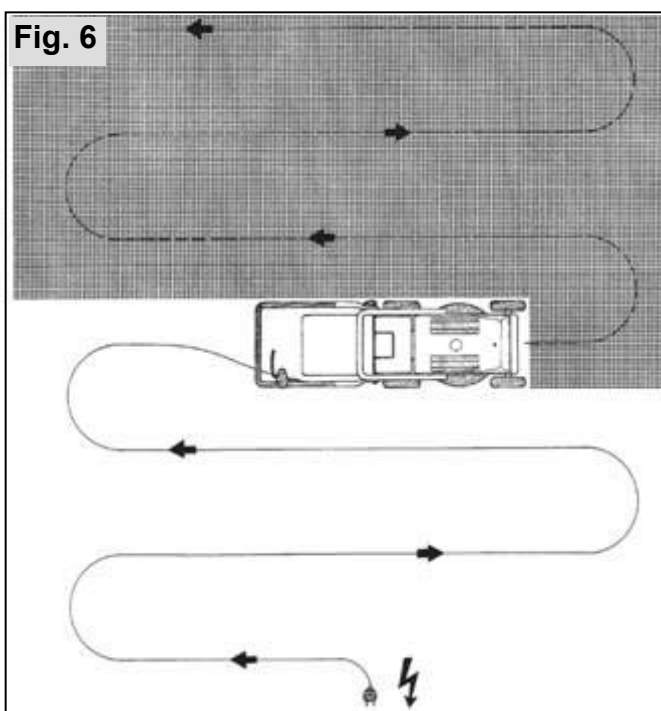


Noise is damaging. During extended mowing, we recommend wearing protective head gear to avoid possible hearing loss.

Before mowing, search the lawn and carefully remove any debris (stones, shards, metal objects, twigs, etc.). Leaves, cuttings, etc. do not need to be removed prior to mowing, but can be picked up with the grass catcher.

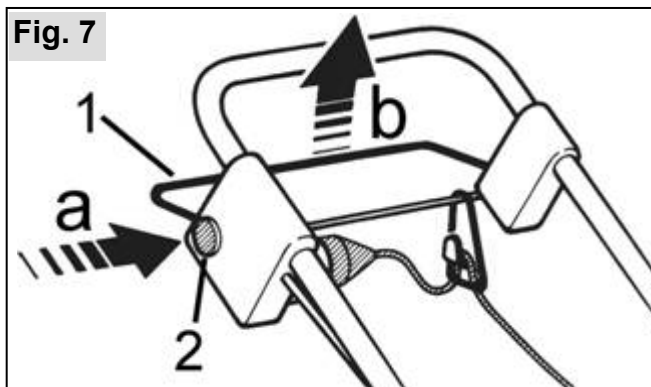
Ensure the cable always leads to the mower from the side already cut.

While mowing, keep the cable away from the mowing blade at all times.



It is preferable to start mowing close to the mains socket. This allows good placement of the cable. When rolling out the cable, ensure it is not squeezed between doors and window frames. Also watch out for sharp edges and sharp objects which can cut or damage the cable. To unplug any cable, do not just pull on the cable. Always get a firm hold of the plug body itself to pull from the socket.

6.1 Starting the Motor / stopping the Motor



Starting the Motor

a: Press the safety button first to unlock the switch(2),
b: then pull the operating lever (1) towards the handle and hold that lever to the handle while mowing.

Stopping the Motor

Release the operating lever (1) and wait until the motor comes to a complete stop.

Overload Protection

Should the motor be subject to excessive load, a heat sensitive overload system in the mains connection plug (3) will respond. In such cases, release the operating lever and wait for a while until the overload system restores the normal circuit. This may take a few minutes. It is recommended that you check for any obstructions to the free movement of the mowing blade before continuing with mowing.

6.2 Mowing with Grass catching device

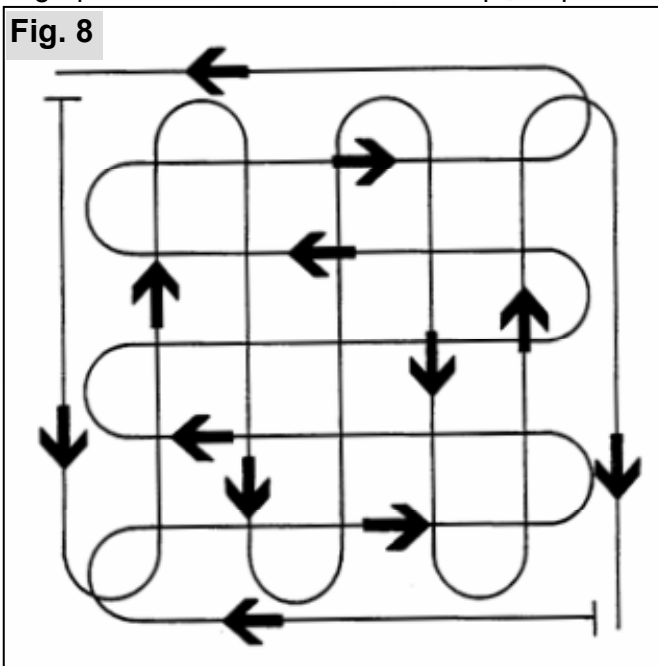
A sharp blade is essential for best cutting results. A dull blade (grass stems become ragged during cutting and the lawn turns yellow) has to be resharpened (see chapter „Blade“).

Short and dry grass can be easily blown in the grass catching device (6). This is made possible by blower-supported grass ejection (turbo effect).

The shorter the cuttings, the better the grass catcher handles them;

- excessively long or wet grass could possibly clog-up the catcher or slow down the pick-up.

Fig. 8



In case of long grass, therefore, first cut with a higher setting in one direction (with generous overlap) and then across the first pattern with a lower or the standard cutting height (Fig. 8).

Grass height, density and grass dampness determine cutting results. Grass that is dry and not too long assures best cutting results. Wet grass may be cut and collected; however, the cutting results and the collection outcome are affected.

6.3 Lawn Care

If possible, mow only when the lawn is dry and when the ground is dry. The lawn mower's wheels press into the wet ground and leave compression marks.

A lawn looks better and appears more uniform if cut often. Frequent cutting allows the lawn to become healthy since the growth goes into the stem.

Short cuttings up to 1 cm (approx. 1/2 inch) may be left on the ground, longer cuttings need to be collected with the grass catching device. At Spring time, the first mowing should take place approx. 2 to 3 weeks before the grass grows at its usual level. In order to achieve early greening of the lawn, cut only approx. 1.5 cm (3/4 inch) of the grass. Check lawn for foreign objects (rocks, glass, metal pieces etc.) prior to mowing lawn. The grass catching device can be used for any additional clean-up (leaves etc.).

Newly seeded or thin lawns must not be cut too short (leave 3 - 4 cm) (1 - 1 1/2 inches). Let the grass remain at that length for 4 to 5 weeks, so that the lawn increases in width and density.

Attention: SOLO Lawn mowers with rear eject are especially suited for the collection of leaves.

However, this use is **only permitted on lawns where all foreign objects, such as stones, shards, metal objects, twigs, etc. have first been carefully removed.** Leaf collection on solid ground (for example, roads or walk-ways) is prohibited due to inherent safety risks.

For leaf collection, the cutting height is to be set to the middle or to the highest setting.

7. Maintenance and Care



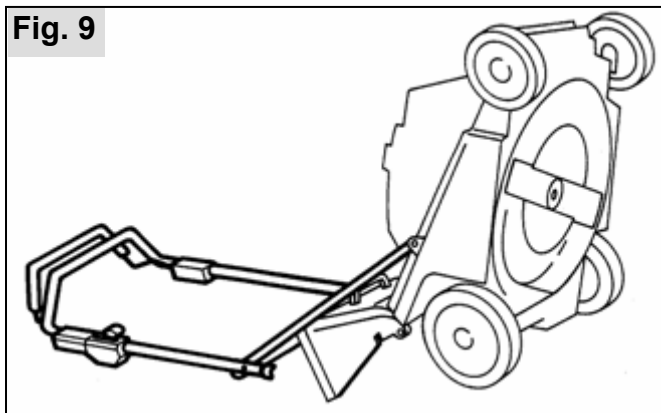
For your own safety, pull the mains plug from its socket prior to any maintenance work or cleaning.

Any maintenance and care that go beyond the described explanations need to be left to an authorized Service Center.

7.1 Cleaning the Mower

After each use, the mower needs to be thoroughly cleaned. Special attention needs to be given to the lower side, the blade and the cutting area circle.

Caution: Before every Service and Cleaning switch off the motor and pull the mains plug from its socket.



After releasing handle Screw (9), the mower can be raised onto its rear wheels and be supported on the lower handle.

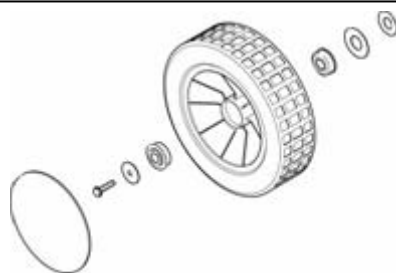
Dirt and grass debris is removed easily immediately after mowing. Imbedded grass debris and dirt on the mower deck's lower section interrupt the grass collection and affect cutting results. Imbedded dirt on the blade and on the blower wheel lead to imbalance and consequently to vibration. Check also for cleanliness of the duct.

The ejection air duct can be cleaned with a small stick or with a screw driver.

Do not spray the mower with a hose or high pressure cleaning hose. The engine has to remain dry. The outer deck parts can simply be kept clean by wiping the unit off with a rag. Strong cleaning agents of any kind are not to be used.

7.2 Wheel axles and wheel hubs

Fig. 10



Wheel axles and wheel hubs are to be lubricated occasionally (at least once a year). Remove wheel cap, release screw and remove wheel. During disassembly observe the sequence for the reassembly of the parts. We recommend SOLO bearing grease, part no. 00 83 175.

7.3 Height adjustment

Before storing your lawnmower out of season clean and lubricate the wheel adjuster spindle with grease (this procedure is necessary at least annually).

- For this, set the wheel adjuster to its highest **position (max)**, clean and lubricate the exposed part of the spindle with grease - then set the wheel adjuster to its lowest **position (min)**, clean and lubricate the remaining spindle with grease. For this, we recommend SOLO bearing grease, part no. 00 83 175.

7.4 Mowing Blade



Special tools, such as a torque wrench for example, are required to mount the blade to the mower.

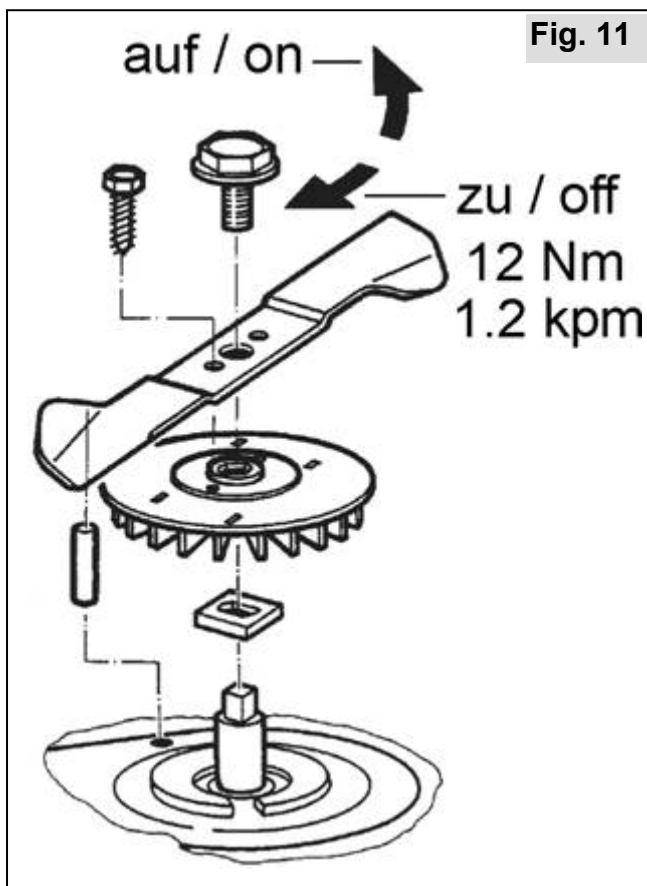
For safety reasons we recommend that the mowing blade is sharpened, balanced and re-fitted by an authorized specialist workshop only. The following notes are therefore only intended for specialist repair shops.

To obtain best mowing results we recommend to have the blade sharpened / balanced or at least once every year.

Replacement of Blade



Proper gloves are to be worn when replacing the blade. Pull the mains plug from its socket prior to any work.



When replacing any blade parts only SOLO spare parts are to be used. The identification No. on the blade has to agree with the Order No. for the replacement. Never install a different type of blade!

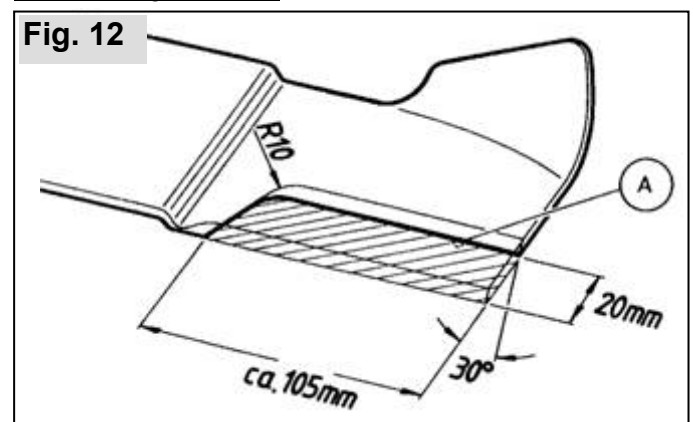
Use the holding pin as a blocking device for the blade. The blade fastening screw has a regular right-handed thread. The blade screw is to be tightened with the specified torque of 12 Nm (1.2 mkp).

Damaged Blade

The motor needs to be shut off and the mains plug has to be removed from its socket if the blade has come in contact with a foreign object or other obstacle. After the blade stops, tilt the mower and check the blade for damage. Deformed or bent blades are not to be re-aligned.

Damaged parts are to be replaced immediately. If the mower has been driven over a notable obstacle, the mower needs to be checked by an authorized Service Center. Prior to use make certain that blade and blade fastening parts are not damaged. If necessary, parts need to be checked or replaced. Never operate mower with an unbalanced blade - this would cause vibration and additional damage.

Sharpening of Blade

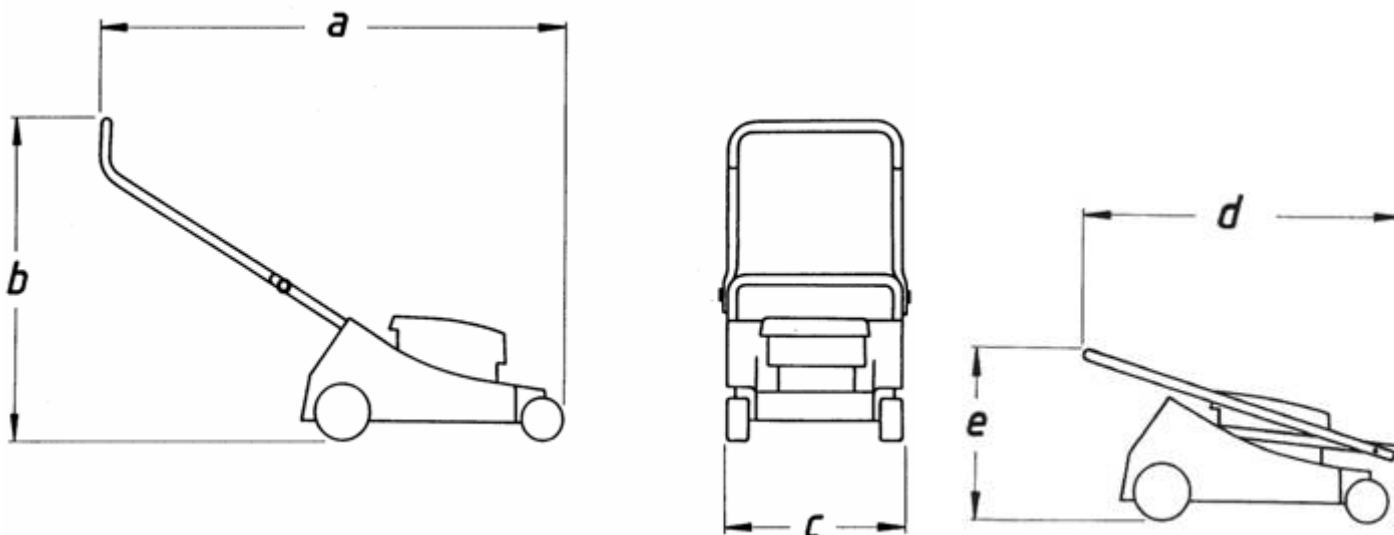


Attention: The blade may be sharpened with a metal file; however, we recommend that resharpening/sanding is done by an authorized Service Center who will pay attention that the same amount is sanded off on each side to avoid any imbalance.

The cutting edge of the blade is only be resanded up to the imprinted markings.

8. Technical data

Mower		589
Cutting width	cm	40
Wheel adjustment		continuous central adjustment from 30 - 75 mm (approx. 1 - 3")
Grass catching device Vol.	I	40
Blade		Blower-blade, one piece
Total weight with grass catching device	kg	23
Charger, protection type/protection class		IP 24 / II
Extension cable (accessory)		DIN 57282/H07 RN-F
Motor		Electric-Motor 230 V / 50 Hz
Power consumption	W	1600
Operating speed		approx 2850 1/min
Measurements:		a: 144 cm (~57"), b: 96 cm - 102 cm (~38" - ~40"), c: 45 cm (~18"), d: 73 cm (~29"), e: 51 cm (~20")
Noise level in work area L_{pA} (DIN 45635)		→ 77,6 dB(A)
Sound capacity level L_{WA} (DIN 45635) measured/ garanted		→ 92 dB(A) / 94 dB(A)
Weighted acceleration value a_{vhw} (DIN 45675)		→ < 2,5 m/s ²



9. Accessories

	Part no.
Mulch set cutting deck insert and special blade	59 00 826
SOLO bearing grease	00 83 175

10. Parts subject to wear and tear

Various parts are subject to application-specific wear or to normal wear and must be replaced in good time if necessary. The following parts are subject to normal wear and are not covered by the manufacturers guarantee:

- Blade and blade fixing

11. Guarantee

The manufacturer guarantees problem free quality and will cover the cost of replacing parts which are found to be faulty in material or show manufacturing defects within the prescribed guarantee period after the date of purchase. Please note that specific guarantee conditions may differ from country to country. When in doubt, please ask the vendor of the goods. The vendor of the product is responsible for guarantee applications.

We hope you will understand that we cannot be liable for damage resulting from these causes:

- Non-compliance with operating instructions.
- Neglecting required maintenance and repair jobs.
- Wear from normal use.
- Using non-approved tools.
- Use of force, improper treatment, misuse and accidents.
- Attempted adjustments and repairs by non-qualified persons.
- Use of unsuitable spare parts or non-original parts if such parts are the cause of the damage.
- Damage caused by using the product in the hire or rental industry.

Normal cleaning, adjustments or maintenance jobs cannot be claimed as part of the guarantee.

All guarantee work must be carried out by a service centre authorized by the manufacturer.

solo[®]

Made in Germany



SOLO
Postfach 60 01 52
D 71050 Sindelfingen

Tel. 07031-301-0
Fax 07031-301-130
info@solo-germany.com

SOLO
P.O.Box 60 01 52
D 71050 Sindelfingen
Germany
Phone+49-7031-301-0
Fax +49-7031-301-149
export@solo-germany.com